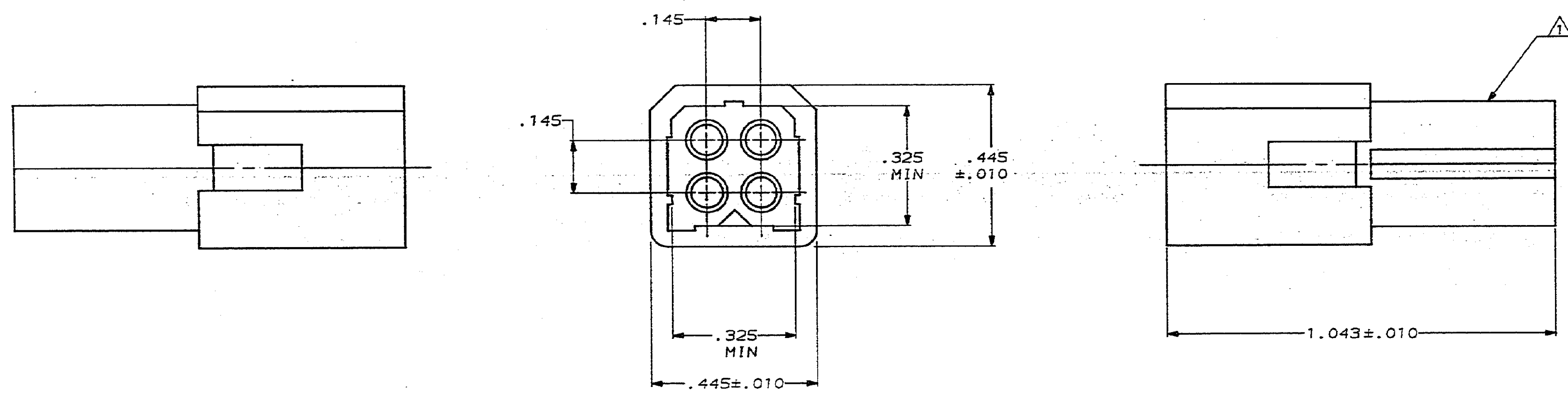
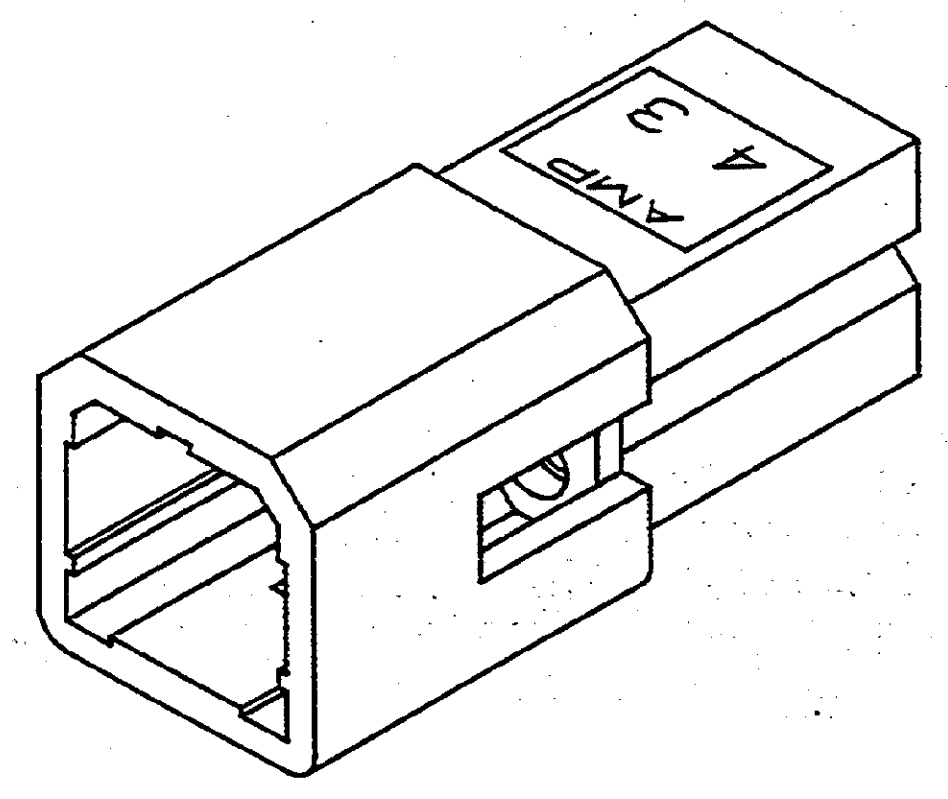
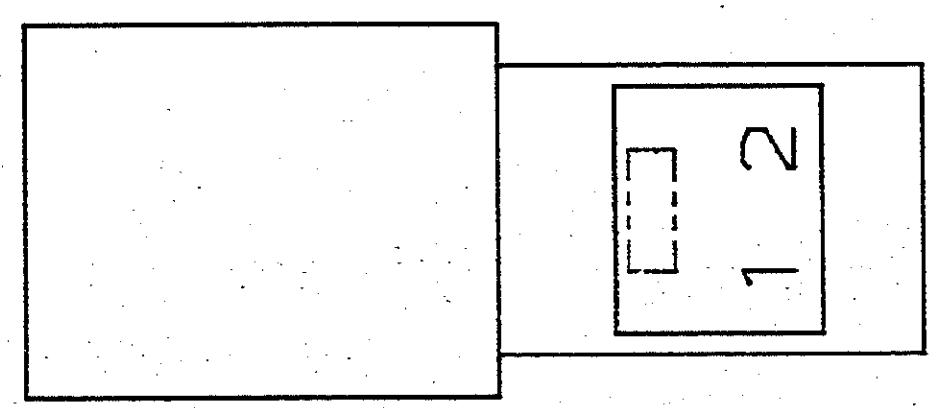


DRAWING MADE IN THIRD ANGLE PROJECTION
 THIS DRAWING IS UNPUBLISHED. RELEASED FOR PUBLICATION .19
 © COPYRIGHT 19 BY AMP INCORPORATED. ALL INTERNATIONAL RIGHTS RESERVED.

REVISES				DATE	APPD	
LOC	QTY	ZONE	LTR	DESCRIPTION	DATE	APPD
CM	53			B1 ADDED METRIC CONVERSION	8-11-82	KS



△ AMP LOGO LOCATED ON THIS SURFACE.
 2. MATING RECEPTACLE HOUSING P/N 770432-1.



3-DIMENSIONAL MODEL
 NTS

IN	MM	IN	MM
.145	3.68	-	-
.062	1.57	1.043	26.49
.010	0.25	.445	11.30
.005	0.13	.325	8.26

CONVERSION TABLE

METRIC

DO NOT SCALE PRINT. UNLESS SPECIFIED DIMENSIONS IN INCHES TOLERANCES ON: 2 PLC DEC ± - 3 PLC DEC ± .005 ANGLES ± -		DR B. LEWIS 5-22-88	PART NO 770538-1	
NYLON, UL 94V-2 NATURAL		CHK R. SWING 5-22-88	AMP INCORPORATED Morgantown, Pa. 17105	
FINISH -		APPD R. CARSON 5-22-88	NAME PLUG, 4 CIRCUIT, .062 PIN AND SOCKET	
WEIGHT -		PRODUCT SPEC -	SIZE D	FSCH NO 00779
		APPLICATION SPEC -	SCALE 5:1	DRAWING NO 770538
				SHEET 1 OF 1

CUSTOMER DRAWING

AMP BUSINESS GROUP, 300 170-A, NEW BRUNSWICK, NJ 08901